

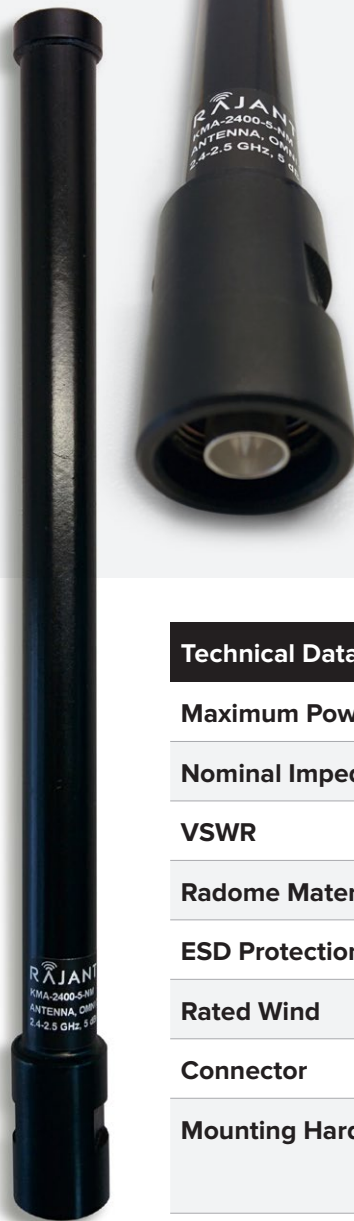
KMA-2400-5

2.4–2.5 GHz Omnidirectional Kinetic Mesh® Antenna

The 2.4–2.5 GHz omnidirectional Kinetic Mesh antenna consists of a linear array, encapsulated in a heavy duty fiberglass radome with a thick walled mounting base for reliable long term use. The rugged design allows the antenna to withstand harsh environments and is ideal for industrial and military wireless applications. The antenna is DC grounded for ESD protection of radio components.

KMA-2400-5 Benefits

- 5 dBi gain
- Type N (male or female) connector
- Fully sealed IP67 (6: Dust-tight, 7: Waterproof) design
- UV stable, black fiberglass radome 0.64" (16.3 mm) diameter
- Black chrome plated mounting base
- DC grounded design



07-100003-001/BAM1013 mount (above)

75-100139-024/KMA-2400-5-NM connector view (left)

Technical Data

Maximum Power	250 Watt
Nominal Impedance	50 Ohm
VSWR	< 1.5:1
Radome Material	Pultruded fiberglass
ESD Protection	DC grounded
Rated Wind	150 mph (241 km/h)
Connector	Type N (male or female)
Mounting Hardware	07-100003-001/BAM1013 included with the Type N male connector option

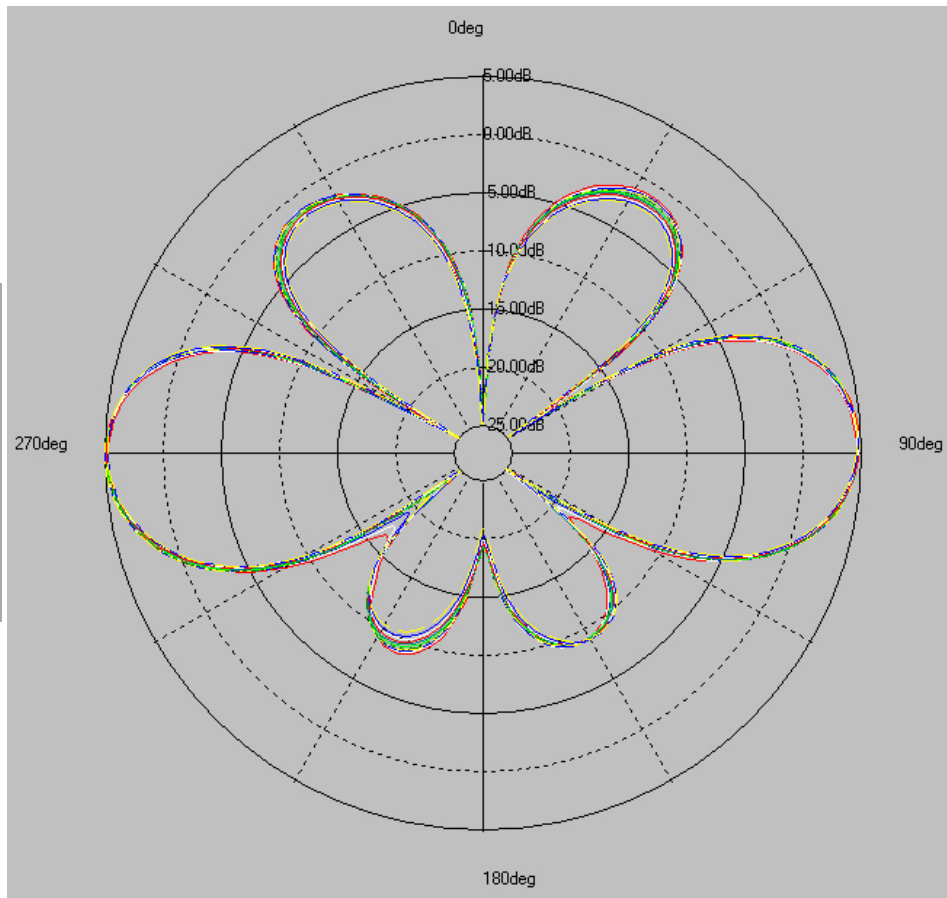
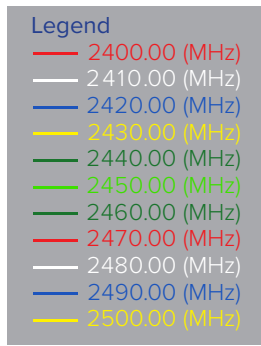
RF/Electrical Specifications

Rajant Part Number	Model	Frequency Range	Nominal Gain	Return Loss	E-Plane Beamwidth	Connector Type
75-100139-024	KMA-2400-5-NM	2.4–2.5 GHz	5 dBi	> 14 dB	30°	N male
75-100140-024	KMA-2400-5-NF	2.4–2.5 GHz	5 dBi	> 14 dB	30°	N female

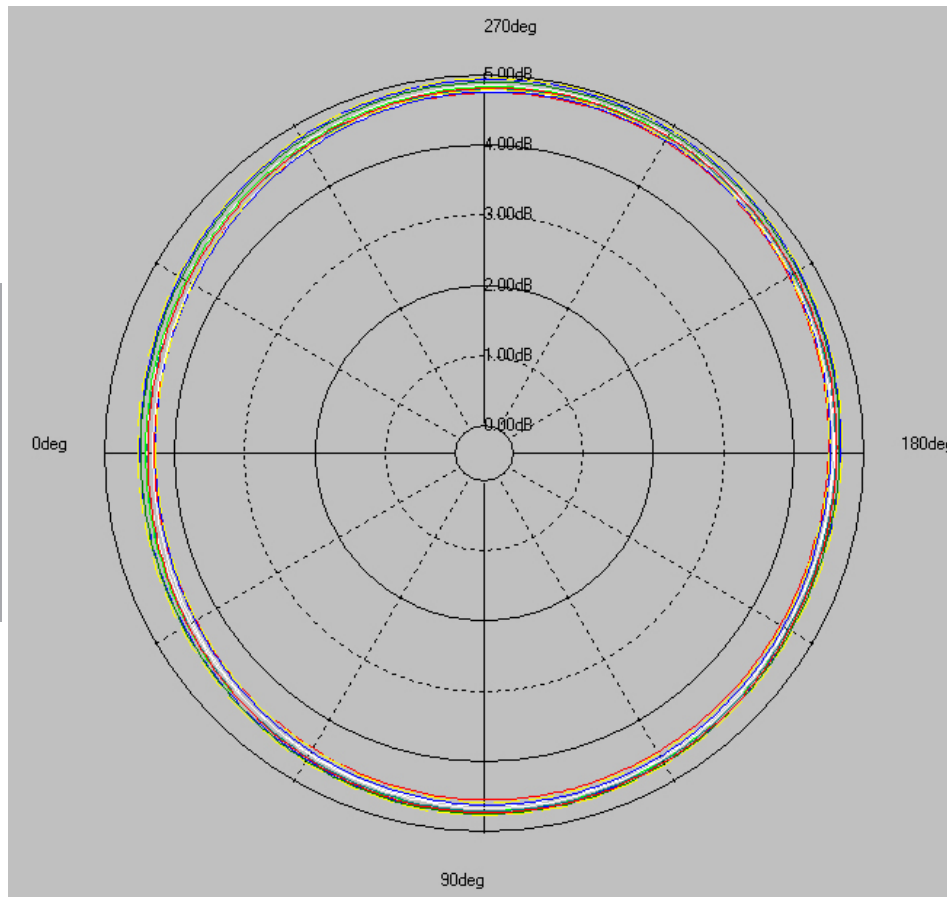
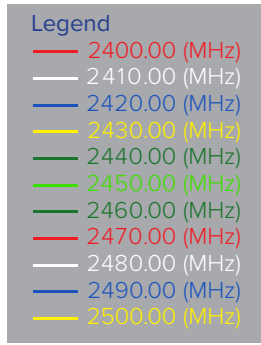
Mechanical Specifications

Rajant Part Number	Model	Weight	Height	Rated Wind Load	Bending Moment at Rated Wind	Equivalent Flat Plate Area
75-100139-024	KMA-2400-5-NM	5 oz (141.7 g)	9.83" (24.97 cm)	2.8 lbf (12.5 N)	1.36 ft-lbf (1.84 Nm)	0.036 ft ² (33.4 cm ²)
75-100140-024	KMA-2400-5-NF	5 oz (141.7 g)	10.03" (25.48 cm)	2.8 lbf (12.5 N)	1.36 ft-lbf (1.84 Nm)	0.036 ft ² (33.4 cm ²)

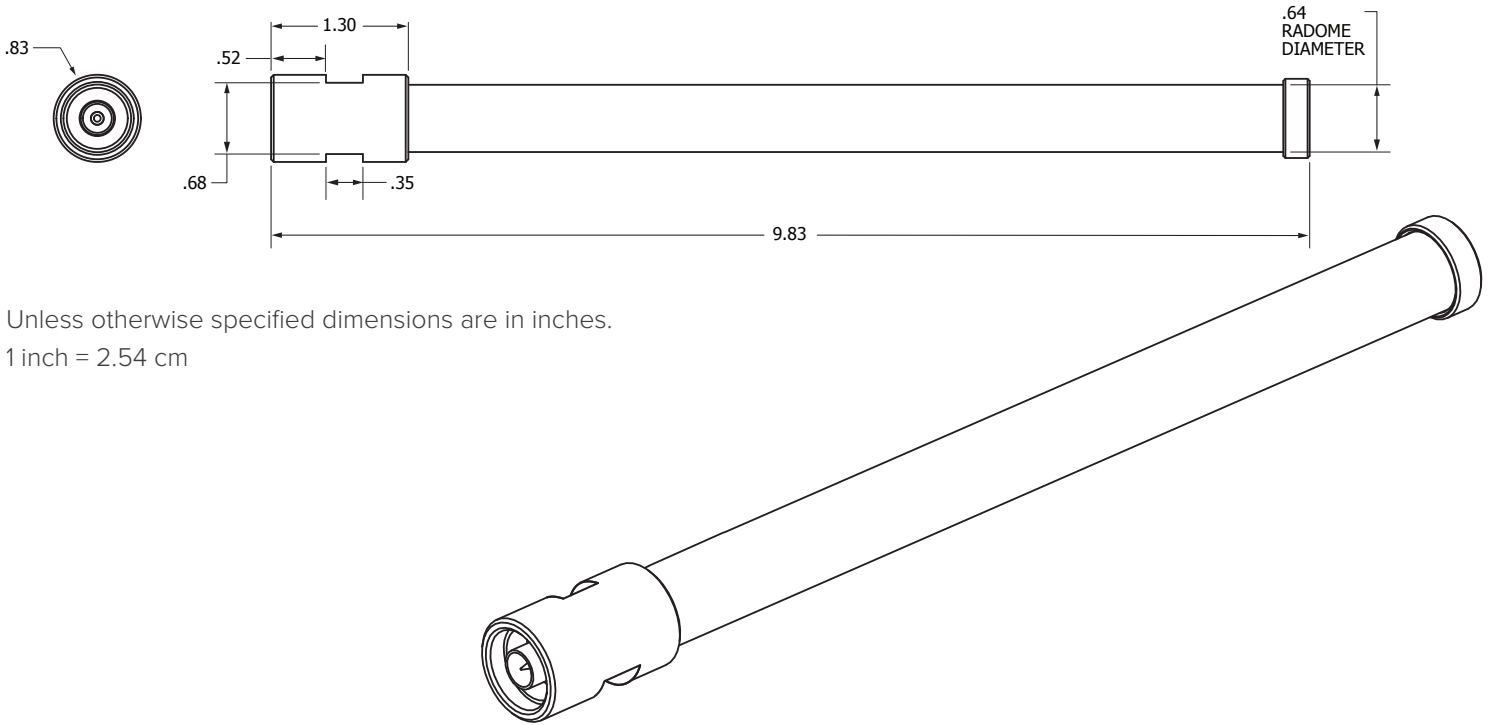
**E-Plane
Radiation
Pattern**



**H-Plane
Radiation
Pattern**

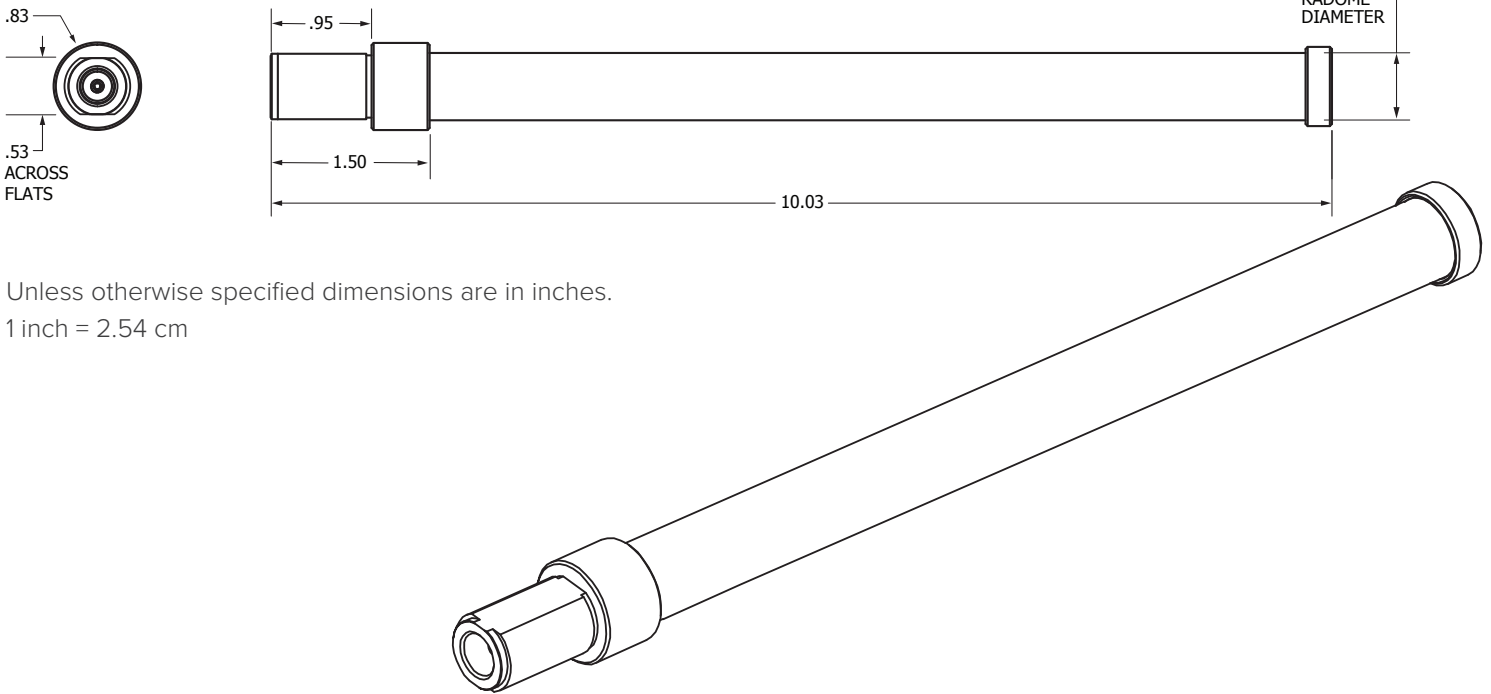


KMA-2400-5-NM Dimensions



Unless otherwise specified dimensions are in inches.
1 inch = 2.54 cm

KMA-2400-5-NF Dimensions



Unless otherwise specified dimensions are in inches.
1 inch = 2.54 cm